

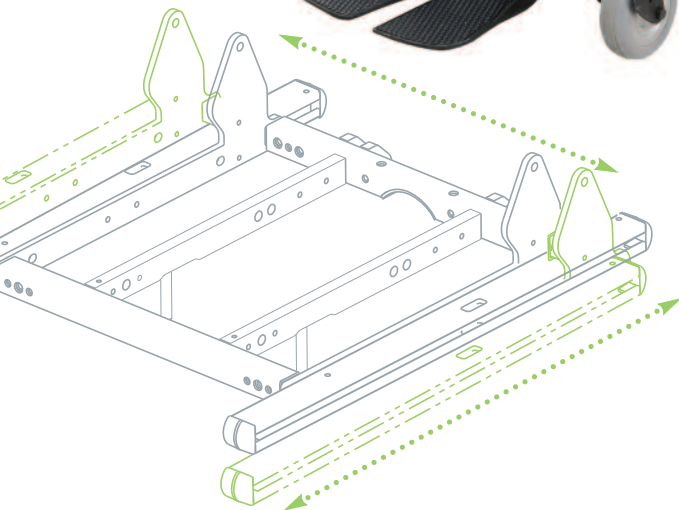
MARCH 2014

NEW ULTRA Low *maxX*

Updating an icon is never easy!

The all new Ultra Low *maxX* is a real world solution, combining function and durability with the good looks your clients expect and deserve.

[Click here to view a *maxX* brochure](#)



SPECIFICATIONS

- Unrivaled base-to-base capability, seamlessly integrating with virtually any power base in the industry
- Our most modular system, featuring up to 55° of CG Tilt, 170° of Recline and up to 12" of nearly silent Power Seat Elevation
- Available with the full range of Motion Concepts' accessories and Invacare® Matrx® Seating products, mounted via our all new Ultra Rail and Ultra Track slotted interfaces
- 300 lb. weight capacity
- Seat-to-Floor Heights as low as 16¾" depending on power base
- 16" - 24" of seat width and 15" - 24" seat depth adjustment



www.motionconcepts.com

Follow us on . . .



usa

700 Ensminger Rd. Suite 112
Tonawanda, NY 14150
Toll Free Tel: 1.888.433.6818
Toll Free Fax: 1.888.433.6834

canada

84 Citation Dr.,
Concord, ON L4K 3C1
Toll Free Tel: 1.866.748.7943
Tel: 905.695.0134
Fax: 905.695.0138